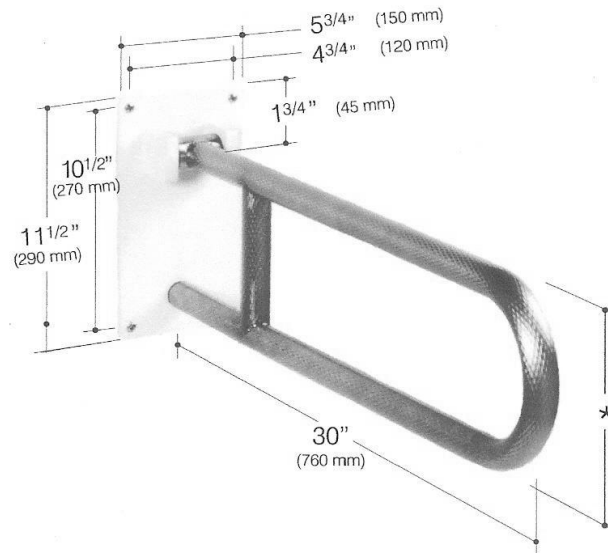




**A N C H O R**  
ARCHITECTURAL PRODUCTS



\* 8" (200 mm) for  
1 1/4" dia. bar  
\* 9 3/4" (250 mm) for  
1 1/2" dia. bar



Optional Toilet Paper Holder

## TYPE U

### OPEN LOOP FLIP-UP BAR, TECHNICAL SPECS

\*\*\* 30" bar shown; available in other lengths as well (30, 32" and 36" most common)

Optional Toilet Paper Holder (shown above) available upon request

Dimensions are from centerline to centerline of tube and from wall to centerline of tube

\*Typical Wall clearance is 1.5" (38mm)

QUANTITY	
Bar diameter	
Finish	
Comments:	

PO Box 87855 ~ Carol Stream, IL 60188-7855

Phone 630.372.8280 ~ Fax 630.372.8290

[www.anchorarchitectural.com](http://www.anchorarchitectural.com)