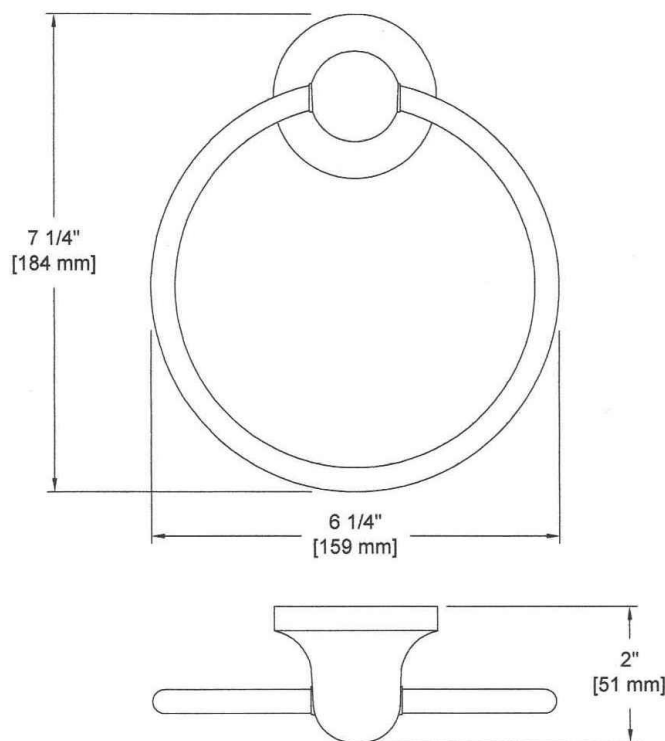




A N C H O R
ARCHITECTURAL PRODUCTS



AH513W
TOWEL RING

- Post is fabricated from die cast zinc with a powder coated white finish
- Ring is fabricated from stainless steel with a powder coated white finish
- Ships with mounting hardware

PO Box 87855 ~ Carol Stream, IL 60188-7855
Phone 630.372.8280 ~ Fax 630.372.8290
www.anchorarchitectural.com