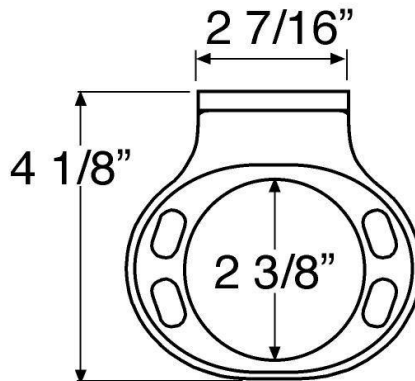
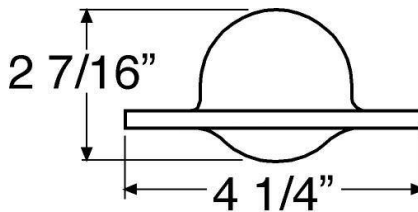




A N C H O R
ARCHITECTURAL PRODUCTS



TYPE AH511W **TOOTHBRUSH AND TUMBLER HOLDER**

Concealed surface mount application

Includes mounting plates – 1-13/16" (46.04mm) x 1-3/16" (30.16mm);

2 plastic anchors and 2 steel Phillips head screws - #8 x 1-1/4" (31.75mm)

Protrudes 4-1/8" (104.78mm) from the mounting surface

Overall size: 4-1/4" (107.95mm) x 2-7/16" (61.91mm)

PO Box 87855 ~ Carol Stream, IL 60188-7855

Phone 630.372.8280 ~ Fax 630.372.8290

www.anchorarchitectural.com